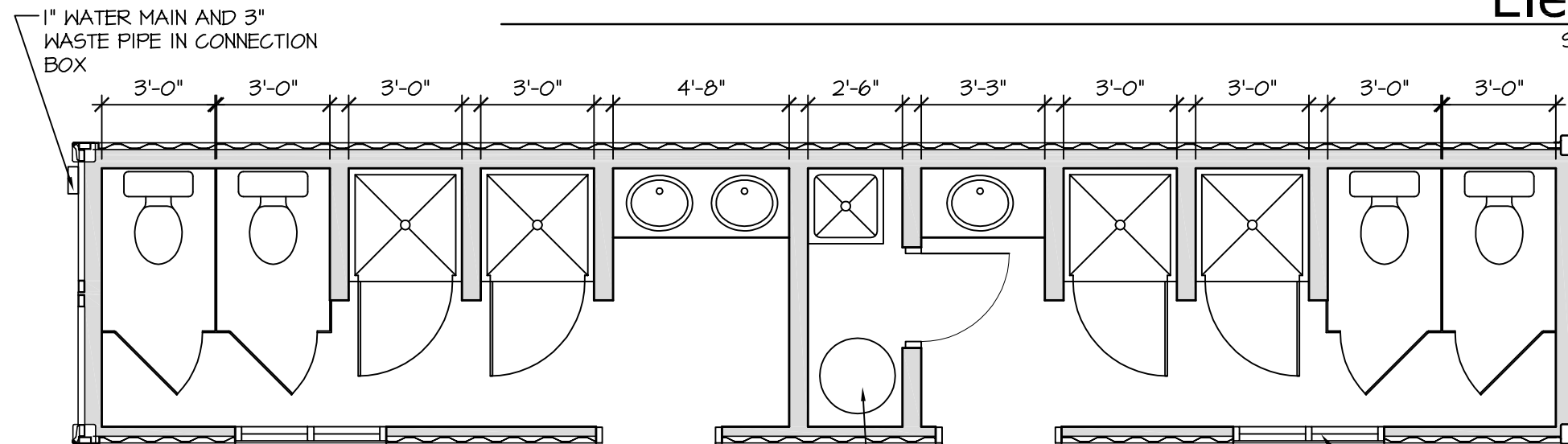


**Elevation**

SCALE: 1/4"=1'-0"



3'-0" X 6'-8" INSULATED HOLLOW METAL DOOR AND FRAME

- 1 1/2 PAIR HINGES
- WEATHER STRIPPING
- THRESHOLD
- LEVER
- LOCKSET
- WIND CHAIN

WATER HEATER

12" X 24" FROSTED GLASS SLIDING WINDOW

**Floor Plan**

SCALE: 1/4"=1'-0"



project  
**Shower MOD Unit**

location  
**Anywhere, USA**

Project Number  
**13-110.00**

Date:  
**06-17-2013**

Sheet Number

**SH2.0**